



STAY CURRENT

ISO 9001 CERTIFIED

MARCH 2015

TABLE OF CONTENTS

Trade Shows & Events	1
Featured Item of the Month	3
Price Reduced Components	4-5
Air & Electrical Components	6
Cab & Chassis Components	7-8
Drive Train Components	9-10
Engine Components	11-12

TRADESHOWS & EVENTS

2015 HDA TRUCK PRIDE ANNUAL MEETING

APRIL 15-19, 2015 - San Antonio, TX



HP SERIES TRANSMISSION VALVE

WORLD TESTED. PERFORMANCE PROVEN.



NEW GOLD MEDALLION

- Improved Internal Components
- Precision Shifting
- Performance Tested
- Leak Proof
- Enhanced Aesthetics



(HP) High Performance Product

OEM REFERENCE	PAI REFERENCE	DESCRIPTION	APPLICATION
FUL A-6913	EF36950HP	VALVE,Selector	All ports 1/16in P.T.
FUL A-6909	EF36960HP	VALVE,Selector	All ports 1/16in P.T.
FUL A-6915	EF36970HP	VALVE,Selector	All ports 1/16in P.T.
FUL A-6918	EF36980HP	VALVE,Selector	All ports 1/16in P.T.
FUL A-6910	EF36990HP	VALVE,Selector	All ports 1/16in P.T.



EF36950HP
FUL A-6913



EF36960HP
FUL A-6909



EF36970HP
FUL A-6915



EF36980HP
FUL A-6918



EF36990HP
FUL A-6910



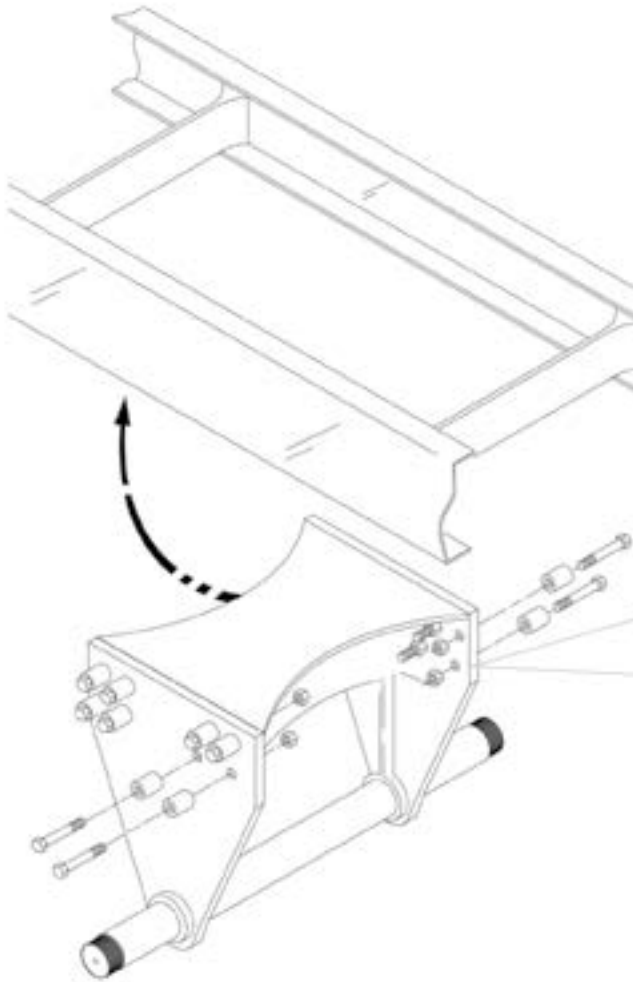
UPDATED DROP IN STYLE TRUNNION

WORLD TESTED. PERFORMANCE PROVEN.

FEATURED ITEM OF THE MONTH

44,000 CAMEL BACK WITH TRAPEZOIDAL MOUNT

- Heavy Duty 1 Piece Drop in Style Replacement for Original Equipment •



EASY INSTALLATION

- Mount from underneath rather than the end of the frame.
- Comes complete with Mounting Hardware.
- Install without Chassis Disassembling, Body Components, Wire Harness, Airlines.
- Less R/R Time.
- Heat Treated Alloy Steel.



OEM REFERENCE	PAI REFERENCE	DESCRIPTION
N/A	803832	ASSEMBLY,Trunnion Bracket (Trapezoidal Mounting w/ Body Bound Bolts)



STAY CURRENT

ISO 9001 CERTIFIED

MARCH 2015

PRICE REDUCED

Click Part# for more details

PAI REFERENCE	OEM REFERENCE	DESCRIPTION
FGG- 0533	MAK 7660-878023	Fuel Gauge
FSU-0559	MAK 64MT291	Sensor
FAS-0604	GDY 1R11-219	Air Spring
FAS-0698	GDY 1R11-221	Air Spring
MAL-4368	MAK 5034-2526LC	Alternator
FAS-5088	GDY 1S5-157	Air Spring
BSH-5552	MAK 2719-38208	Axle
GSP-5988	MAK 31KD2136	Retainer
EHD-8568	MAK 404GB498C	Damper
GBK-8963	N/A	Bearing & Seal Kit
EE21510	EAT 118750	Differential Kit
EF06520	FUL A-5159	Shift Fork
EF20740	FUL K-3399	Shift Lever Kit
EF28350	FUL 4303424	Retaining Ring
EF64110	FUL 21020	Gear
EM61330	MAK 67AX335	Roller Bearing
045004	CUM 3017544	Injection Roller Pin
045017	CUM 3803495	Nozzle Kit
060046	CUM 3071535	Flywheel Assembly
060169	CUM 3920612	Cylinder Head
060170	CUM 3802340	Cylinder Head
060177	CUM 2864028	Cylinder Head
111208	CUM 3901793	Piston Pin
111217	CUM 3802060	Piston Kit
111237	CUM 3802160	Piston Kit
111269	CUM 3901996	Retainer
111574	N/A	Piston Kit
121195	CUM 3007759	O-Ring
121214	CUM 131026	O-Ring
131409	CUM 3914017	Pan Gasket
131453	CUM 3918174	Oil Gasket

PAI REFERENCE	OEM REFERENCE	DESCRIPTION
131467	CUM 3927154	Exh. Manifold Gasket
131673	CUM 3102314	Turbo Gasket
131743	CUM 4089758	Upper Gasket Kit
131856	CUM 4089889	Lower Gasket Kit
141408	CUM 3918175	Oil Cooler
141282	CUM 3046951	Oil Pan Kit
151510	CUM 187420	Bushing
151511	CUM 3027105	Pin Bushing
171722	CUM 3801262	Bearing Kit
171745	CUM 203660	Rod Bearing
171746	CUM 203661	Rod Bearing
171747	CUM 203662	Rod Bearing
171801	CUM 3901170	Rod Bearing
171802	CUM 3901171	Rod Bearing
171803	CUM 3901172	Rod Bearing
171821	CUM 3945917	Bearing Kit
171822	CUM 3945918	Bearing Kit
180107	CUM 4988748	Fuel Pump
191943	CUM 3803310	Valve Kit
191944	CUM 3803730	Valve Kit
191947	CUM 3328786	Valve Guide
192047	CUM 211999	Valve Spring
192084	CUM 202605	Injector Tube
301011	N/A	Cylinder Kit
311101	CAT 1548087	Piston
311102	N/A	Piston Kit
331254	CAT 3E6772	Head Gasket Seal
331331	CAT 2640591	Gasket Kit
342090	CAT 6V0852	Protective Cap
345012	CAT 1979336	Cooling Nozzle
410078	NAV 1816674C91	Piston Kit



STAY CURRENT

ISO 9001 CERTIFIED

MARCH 2015

PRICE REDUCED

Click Part# for more details

PAI REFERENCE	OEM REFERENCE	DESCRIPTION
451556	NAV 477257C94	Door Lock(LH)
451557	NAV 477258C94	Door Lock(RH)
490064	NAV 1850160C3	Roller Lifter
505083	CUM 3802040	Ring Set
641211	DDC 23505886	Lube Pump
801179	MAK 20928630	Cylinder Kit
801180	MAK 21209650	Cylinder Kit
803470	MAK 9MT219M	Fuel Gauge
804295	MAK 10QK3105M	Spring Pin
804321	MAK 57QL261M	Hood Spring
804332	GDY 3B12-315	Air Spring
900373	FUL K-4151	Speed Sensor Kit
940249	ROK KIT2248	Nest Kit
330602-001	N/A	Engine Kit
330652-001	N/A	Engine Kit
330652-006	N/A	Engine Kit
360104-001	N/A	Engine Kit
360104-002	N/A	Engine Kit
360104-005	N/A	Engine Kit
360104-006	N/A	Engine Kit
360104-009	N/A	Engine Kit
360104-010	N/A	Engine Kit
360104-011	N/A	Engine Kit
360104-015	N/A	Engine Kit
360104-016	N/A	Engine Kit
360104-501	N/A	Engine Kit
360104-502	N/A	Engine Kit
360104-506	N/A	Engine Kit
360104-511	N/A	Engine Kit
360104-515	N/A	Engine Kit
360104-516	N/A	Engine Kit

PAI REFERENCE	OEM REFERENCE	DESCRIPTION
360104-501	N/A	Engine Kit
444101-001	N/A	Engine Kit
466109-001	N/A	Engine Kit
466109-002	N/A	Engine Kit
466109-003	N/A	Engine Kit
466109-006	N/A	Engine Kit
466109-007	N/A	Engine Kit
466109-011	N/A	Engine Kit
466109-012	N/A	Engine Kit
466109-016	N/A	Engine Kit
466110-001	N/A	Engine Kit
466110-002	N/A	Engine Kit
C11601-001	N/A	Engine Kit
ISB608-001	N/A	Engine Kit
ISB608-026	N/A	Engine Kit
ISB608-051	N/A	Engine Kit
ISB608-076	N/A	Engine Kit
ISB608-082	N/A	Engine Kit
ISB608-101	N/A	Engine Kit
ISB608-107	N/A	Engine Kit
ISB608-126	N/A	Engine Kit
M11127-001	N/A	Engine Kit
M11127-017	N/A	Engine Kit
M11127-022	N/A	Engine Kit
M11127-027	N/A	Engine Kit
M11127-031	N/A	Engine Kit
MP8101-001	N/A	Engine Kit
MP8102-001	N/A	Engine Kit



STAY CURRENT

ISO 9001 CERTIFIED

MARCH 2015

AIR & ELECTRICAL

CAB & CHASSIS

DRIVE TRAIN

ENGINE



OEM REFERENCE	PAI REFERENCE	DESCRIPTION
HAD 00293AS	FAH-9877	Air Horn (Black Plastic w/ 1/4in Push Lock Fitting)

Application: Universal



OEM REFERENCE	PAI REFERENCE	DESCRIPTION
MAK 64MT377M	853707	Temperature Sensor Kit Includes Temp. Sensor (1)853708 Wiring Harness (1)845061

Application: Mack MP8



STAY CURRENT

ISO 9001 CERTIFIED

MARCH 2015



OEM REFERENCE	PAI REFERENCE	DESCRIPTION
FTL 06-46159-001	740258	Wiper Control Rocker Switch
Application: Freightliner Columbia & Coronado		



OEM REFERENCE	PAI REFERENCE	DESCRIPTION
FTL A17-13534-001	740203	Hood Rest
Application: Freightliner 1996 - 2005 Century		



OEM REFERENCE	PAI REFERENCE	DESCRIPTION
NAV 1694434C91	460008	Window Regulator(L/H)
Application: 1989-1998 International 2000, 4000, 7000, 8000 & 9000 Series		



OEM REFERENCE	PAI REFERENCE	DESCRIPTION
NAV 3509450C91	442131	V-Band Clamp(4-9/16in Max.) (4-1/4in Min. Dia.)
Application: Multiple / Universal		

AIR & ELECTRICAL

CAB & CHASSIS

DRIVE TRAIN

ENGINE



STAY CURRENT

ISO 9001 CERTIFIED

MARCH 2015

AIR & ELECTRICAL



OEM REFERENCE	PAI REFERENCE	DESCRIPTION
MAK 2ME29301P21	803646	Resonator
Application: Mack Universal		

CAB & CHASSIS



OEM REFERENCE	PAI REFERENCE	DESCRIPTION
MAK 11QM46AM	804306	Hood Shock
Application: Mack 2006-2014 GU Models		

DRIVE TRAIN



OEM REFERENCE	PAI REFERENCE	DESCRIPTION
MAK 36MX36M	808059	Cable Cylinder, Power Assist
Application: Mack Multiple		

ENGINE



STAY CURRENT

ISO 9001 CERTIFIED

MARCH 2015



OEM REFERENCE	PAI REFERENCE	DESCRIPTION
DAN 5-4-6261	960069	End Yoke(34 Spline)
Application: Dana 1610 Series		



OEM REFERENCE	PAI REFERENCE	DESCRIPTION
DAN 6-4-8341-1X	960082	End Yoke(46 Spline) Incl. Dust Shield (1)BDS-6815
Application: Dana 1710 Series		



OEM REFERENCE	PAI REFERENCE	DESCRIPTION
DAN 131345	960205	Helical Gear
Application: Dana R170/S170 Differential		



OEM REFERENCE	PAI REFERENCE	DESCRIPTION
FUL K-2867	900143	Auxiliary Maindrive Gear Kit Includes Gear (1) 900139 O-Rings (2)EF30180 Retainer (1)EF10880
Application: Fuller RTLO 14610A		

AIR & ELECTRICAL

CAB & CHASSIS

DRIVE TRAIN

ENGINE



STAY CURRENT

ISO 9001 CERTIFIED

MARCH 2015



OEM REFERENCE	PAI REFERENCE	DESCRIPTION
FUL 4301222	900701	Mainshaft Gear(Reverse)
Application: Fuller 15710, 16710, 13710, 14710, 11710 , 12710 Series		



OEM REFERENCE	PAI REFERENCE	DESCRIPTION
FUL 4303184	900076HP	OD Countershaft Gear(C Ratio) (High Performance)
Application: Fuller FRO 12210C		



OEM REFERENCE	PAI REFERENCE	DESCRIPTION
FUL 4305910	900023HP	Maindrive Gear(High Performance)
Application: Fuller FTLO 14918B		

AIR & ELECTRICAL

CAB & CHASSIS

DRIVE TRAIN

ENGINE



STAY CURRENT

ISO 9001 CERTIFIED

MARCH 2015



OEM REFERENCE	PAI REFERENCE	DESCRIPTION
CUM 3408324	180190	Fuel Actuator
Application: Cummins N14		



OEM REFERENCE	PAI REFERENCE	DESCRIPTION
CUM 3408328	180191	Fuel Actuator
Application: Cummins 855		

OEM REFERENCE	PAI REFERENCE	DESCRIPTION
CUM 4309417	181934	Water Pump Kit Includes O-Ring (1) GGA-2992
Application: Cummins ISL		



OEM REFERENCE	PAI REFERENCE	DESCRIPTION
DDC 23534354	642005	Engine Oil Dipstick
Application: Detroit Diesel 2008-2011 Series 60		



OEM REFERENCE	PAI REFERENCE	DESCRIPTION
DDC R23538636	681816	Water Pump Assembly (Horizontal Inlet 49 Tooth Gear)
Application: Detroit Diesel Series 60		

AIR & ELECTRICAL

CAB & CHASSIS

DRIVE TRAIN

ENGINE



STAY CURRENT

ISO 9001 CERTIFIED

MARCH 2015

AIR & ELECTRICAL



OEM REFERENCE	PAI REFERENCE	DESCRIPTION
FTL 01-29866-094	741411	Serpentine Belt(8 Rib) (82.44in Long)
Application: Multiple		

CAB & CHASSIS



OEM REFERENCE	PAI REFERENCE	DESCRIPTION
FTL 01-23415-053	741412	Serpentine Belt(8 Rib) (93-7/8in Long)
Application: Multiple		

OEM REFERENCE	PAI REFERENCE	DESCRIPTION
MAK 85124530	841976	EGR Hose Kit
Application: Mack MP7 / MP8 & Volvo D11 / D13		

DRIVE TRAIN



ENGINE

OEM REFERENCE	PAI REFERENCE	DESCRIPTION
NAV 1841820C1	480009	Camshaft Gear
Application: International 2001 & Up DT 466E/530		