



STAY CURRENT

ISO 9001 CERTIFIED

DECEMBER 2015

FEATURED ITEMS OF THE MONTH

Trade Shows & Events	1
Price Reduced Components	2
Tech Tips	3
Featured Item of the Month	4-5
Air & Electrical Components	6
Cab & Chassis Components	7
Drive Train Components	8
Engine Components	9-12

TRADESHOWS & EVENTS

2016 HEAVY DUTY AFTERMARKET WEEK
JANUARY 25-29, 2016 - Las Vegas, NV



STAY CURRENT

ISO 9001 CERTIFIED

DECEMBER 2015

PRICE REDUCED

Click Part# for more details

PAI REFERENCE	OEM REFERENCE	DESCRIPTION
MSU-0591	NAV 556916C91	Sensor
ETC-8244	MAK 631GC5172AM7	Turbocharger
EE70970	EAT 122434	Kit
EE92250	EAT 217985	Gear Set
191857	CUM 3965966	Toller Tappet
642080	DDC 8909725	Fuel Fitting
671670	DDC R23513559	Timing Gear
680370	DDC 23523996	Accessory Drive
803250	GUN TX228K	Wheel
803742	GUN HR935F	Hub
841977	MAK 85115784	Doser Kit
860050	MAK 21514061	Flywheel Assembly
940020	ROK 3892-W-5015	Gear
ERK-8055-001	N/A	Engine Kit
S60110-017	N/A	Engine Kit
S60110-033	N/A	Engine Kit



Is it time to replace the belts on your N14?

Here are a few Tips from CUMMINS...

- When a drive pulley uses two or more belts, replace the belts as a complete set.
- To prevent damage, do not roll a belt over the pulley or pry it on with a tool.
- Visually inspect the pulley alignment. Pulley misalignment must not exceed 0.5mm per cm [1/16-inch per foot] of distance between the pulley centers. Replace if beyond parameters.
- Refer to the Belt Tension Chart (in operators manual) to select the correct gauge and tension values for the belt width.
- Belt tension can increase when the fan hub mounting cap screws are tightened. Do not adjust the belt tension to full value with the adjusting screw.
- When satisfactory belt tension is obtained, loosen the adjusting screw 1/2-turn to prevent breakage

Follow these guidelines from Cummins to ensure a perfect install each time!



QUICK CHANGE TRUNNION

ISO 9001 CERTIFIED

NOVEMBER 2015

FEATURED ITEMS OF THE MONTH



803832



803833

MACK APPLICATION, SS44 /SWS57 CAMELBACK SUSPENSIONS

Quick Change Trunnion (QCT) Offers:

EASY INSTALLATION!

Replacement for Original
Equipment Mack Stand

Comes Complete with
Mounting Hardware

No Removing Body Components,
Chassis, Hydraulic Line or
Wiring Harness

Heat Treated Alloy Steel

Less R/R Time!

PAI REF.	REPLACE	DESCRIPTION
803832	Replaces FTB-4712 MAK97QL585	ASSEMBLY, Trunnion Bracket (Trapezoidal Hole Pattern)
803833	Replaces 803830 MAK97QL5119M	ASSEMBLY, Trunnion Bracket (Square Hole Pattern) <i>Space Plate Available for Single Frame/Single Rail</i>
803817	MAK98QL24M3	Plate, Spacer(Square Hole Pattern)

Interchange Information

(3-12" Shafts)

Designed for 32-1/4" frame Width

Advise if your application varies

Model

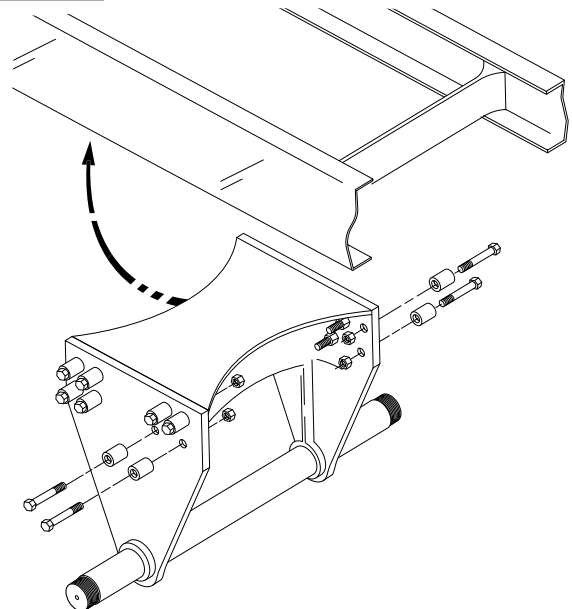
MR 685S RD Series

DM Series RWL Series

MH Series RWS Series



803832





STAY CURRENT

ISO 9001 CERTIFIED

DECEMBER 2015

FEATURED ITEMS OF THE MONTH



- INCLUDES SENSOR, CAPS & FITTINGS
- NEW LOW PRICE

OEM REFERENCE	PAI REFERENCE	DESCRIPTION
MAK 76MF533M	804042	Expansion Tank Assembly Includes Tank (1)804042-001 Fill Cap (1)804048 Level Sensor (1)853717 Pressure Side Cap (1)ERC-8334
Application: Mack CHN / CHU / CXU Models		



STAY CURRENT

ISO 9001 CERTIFIED

DECEMBER 2015



OEM REFERENCE	PAI REFERENCE	DESCRIPTION
MAK 64MT482AM	853719	Coolant Level Sensor
Application: Mack LE / LEU / MR / MRU		

AIR & ELECTRICAL



CAB & CHASSIS

OEM REFERENCE	PAI REFERENCE	DESCRIPTION
NAV 2505183C92	450440	Control Valve
Application: International 3000 / 4000 / 5000 / 7000 / 9000 & Prostar		

DRIVE TRAIN



ENGINE

OEM REFERENCE	PAI REFERENCE	DESCRIPTION
NAV 598860C1	450548	Brake Light Switch(1/4in NPT) (Normally Open)
Application: International Universal		



STAY CURRENT

ISO 9001 CERTIFIED

DECEMBER 2015



OEM REFERENCE	PAI REFERENCE	DESCRIPTION
GDY 1R12-434	804345	Air Spring
Application: Universal Use		



OEM REFERENCE	PAI REFERENCE	DESCRIPTION
MAK 38QC4137P2	804218	Power Steering Pump
Application: Mack Multiple		



OEM REFERENCE	PAI REFERENCE	DESCRIPTION
MAK 8148-5545231	804223	Steering Kit
Application: Sheppard M110		

AIR & ELECTRICAL

CAB & CHASSIS

DRIVE TRAIN

ENGINE



STAY CURRENT

ISO 9001 CERTIFIED

DECEMBER 2015



OEM REFERENCE	PAI REFERENCE	DESCRIPTION
DAN 2-28-1757	960136	Tube Weld Yoke (Tubing Diameter and Wall 2" - .120")
Application: Dana 1310		



OEM REFERENCE	PAI REFERENCE	DESCRIPTION
FUL 21672	900702	Mainshaft Gear(3rd)
Application: Fuller 7608, 6609, 8609 & 7609		



OEM REFERENCE	PAI REFERENCE	DESCRIPTION	APPLICATION
FUL 20389	EF62640HP	Mainshaft Gear(1st)(60 Teeth) (RT/RTO A)	Fuller 11609
FUL 20482	EF62920HP	Countershaft Gear(2nd)(44 Teeth) (RT/RTO A)	Fuller 11609
FUL 4303737	900082HP	Countershaft Gear(4th)	Fuller 15210

AIR & ELECTRICAL

CAB & CHASSIS

DRIVE TRAIN

ENGINE



STAY CURRENT

ISO 9001 CERTIFIED

DECEMBER 2015



OEM REFERENCE	PAI REFERENCE	DESCRIPTION
CAT 172-7766	381818	Water Pump Assembly
Application: Caterpillar 3306		



OEM REFERENCE	PAI REFERENCE	DESCRIPTION
CAT 140-6137	331586	Oil Cooler Gasket Kit
Application: Caterpillar 3306 / 3306C		



OEM REFERENCE	PAI REFERENCE	DESCRIPTION
CUM 3687130	181933	Water Pump Assembly(12 Rib Pulley)
Application: Cummins ISX		



OEM REFERENCE	PAI REFERENCE	DESCRIPTION
CUM 3803852	136162	Accessory Drive Seal Kit Includes Sleeve (1)136022 Key Way Seal (1)136049 Dust Shield (1)136156 Accessory Drive Pulley Seal (1)136094
Application: Cummins K Series		

AIR & ELECTRICAL

CAB & CHASSIS

DRIVE TRAIN

ENGINE



STAY CURRENT

ISO 9001 CERTIFIED

DECEMBER 2015



181194 Shown

OEM REFERENCE	PAI REFERENCE	DESCRIPTION	APPLICATION
CUM 3792786	181193	Turbocharger	Cummins ISX / QSX
CUM 3802770	181194	Turbocharger	Cummins ISB / QSB
CUM 3802778	181195	Turbocharger	Cummins 6B / ISB / QSB
CUM 3800419	181196	Turbocharger	Cummins N14
CUM 3803389	181197	Turbocharger	Cummins L10
CUM 4955156	181208	Turbocharger	Cummins QSB / ISB
CUM 3803722	181209	Turbocharger	Cummins N14



OEM REFERENCE	PAI REFERENCE	DESCRIPTION
CUM 3689035	141441	EGR Cooler
Application: Cummins ISX		

AIR & ELECTRICAL

CAB & CHASSIS

DRIVE TRAIN

ENGINE



STAY CURRENT

ISO 9001 CERTIFIED

DECEMBER 2015



OEM REFERENCE	PAI REFERENCE	DESCRIPTION
DDC 23535017	681813E	Water Pump Assembly
Application: Detroit Diesel Series 60		



OEM REFERENCE	PAI REFERENCE	DESCRIPTION
DDC 23536834	641222	EGR Regulator Control(12 Volt)
Application: Detroit Diesel Series 60		



OEM REFERENCE	PAI REFERENCE	DESCRIPTION
DDC R5235575	609900X	Fuel Injector Assembly(Reman)
Application: Detroit Diesel Series 60		



OEM REFERENCE	PAI REFERENCE	DESCRIPTION
N/A	641290	Oil Pan(Front Sump)
Application: Detroit Diesel Series 60		

AIR & ELECTRICAL

CAB & CHASSIS

DRIVE TRAIN

ENGINE



STAY CURRENT

ISO 9001 CERTIFIED

DECEMBER 2015



OEM REFERENCE	PAI REFERENCE	DESCRIPTION
DDC 23535534	620012	Air Compressor(16 CFM)
Application: Detroit Diesel Series 60		

AIR & ELECTRICAL

CAB & CHASSIS



OEM REFERENCE	PAI REFERENCE	DESCRIPTION
DDC R23525566	660005X	Cylinder Head Assembly(Reman) (3 Bolt Thrust plate)
Application: Detroit Diesel Series 60 11 & 12 Liter Units		

DRIVE TRAIN

ENGINE



OEM REFERENCE	PAI REFERENCE	DESCRIPTION
MAK 736GB419M2X	891965X	Fuel Injector Assembly(Reman)
Application: Mack ASET		